

# HPRC2500 for Dji Ronin SC

## ROSC-2500-01



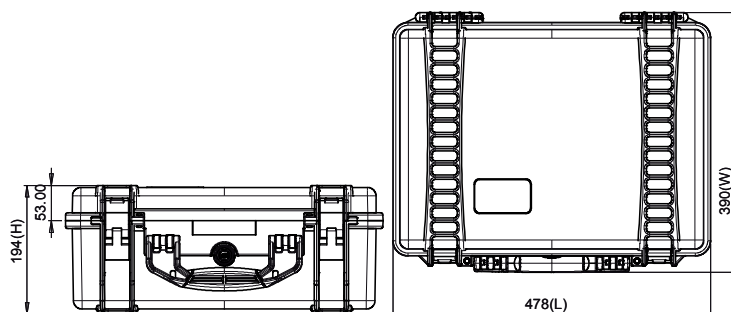
- 1** DJI Ronin-SC gimbal with BG18 battery grip mounted
- 2** Extended grip mini tripod
- 3** Miscellaneous/cable
- 4** Smartphone holder
- 5** Quick release plate
- 6** Camera riser
- 7** Focus motor
- 8** Focus Motor road Mount

### TECHNICAL FEATURES

**Dimension:**  
 internal dimension 450x323x175(mm) - 17.72x12.72x6.89(in)  
 external dimension 478x390x194(mm) - 18.82x15.35x7.64(in)

**Weight:**  
 3,71kg - 8.18lbs

**Temperature rating:**  
 Minimum -40°C -40°F  
 Maximum +80°C +176°F



Plaber s.r.l. - HPRC cases

Via Div Tridentina, 10  
 I-36061 Bassano del Grappa  
 Vicenza - Italy

Tel +39 0424 809150  
 Fax +39 0424 808548

HPRC USA

240 Anderson Avenue  
 07074 Moonachie  
 New Jersey - Usa

Tel +1 201 617 2010  
 Fax +1 201 617 2001

[www.hprc.it](http://www.hprc.it)  
 E: info@hprc.it



**APPROVALS**  
 ATA 300  
 IP67  
 STANAG 4280  
 DS 81-41

**TEST**  
 DROP  
 IMPACT  
 HANDLE  
 WATERTIGHT INTEGRITY  
 UV COLOR AND MATERIAL  
 PROTECTION

