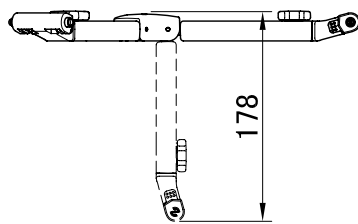
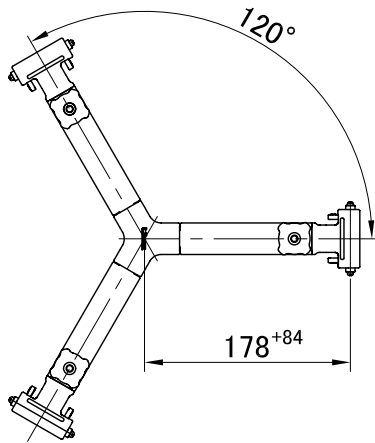


System	T102B (Tripod)+BR-6B (Mid-level spreader)+FP-3B (Large rubber feet)		
Payload	90 kg / 198 lb	Ball diameter	φ 100 mm
Weight	6.4 kg / 14.1 lb	Section	1STAGE
Height	① H: 1395 mm W: 640 mm (※Reference)	Tripod fixation	Fixing lock knob
	② H: 840 mm W: 620 mm (")	Spreader	BR-6B (Telescopic, Removable)
Folded length	③ L: 880mm (")	Material	Aluminum pipe, Aluminum alloy, Engineering plastic

Remarks

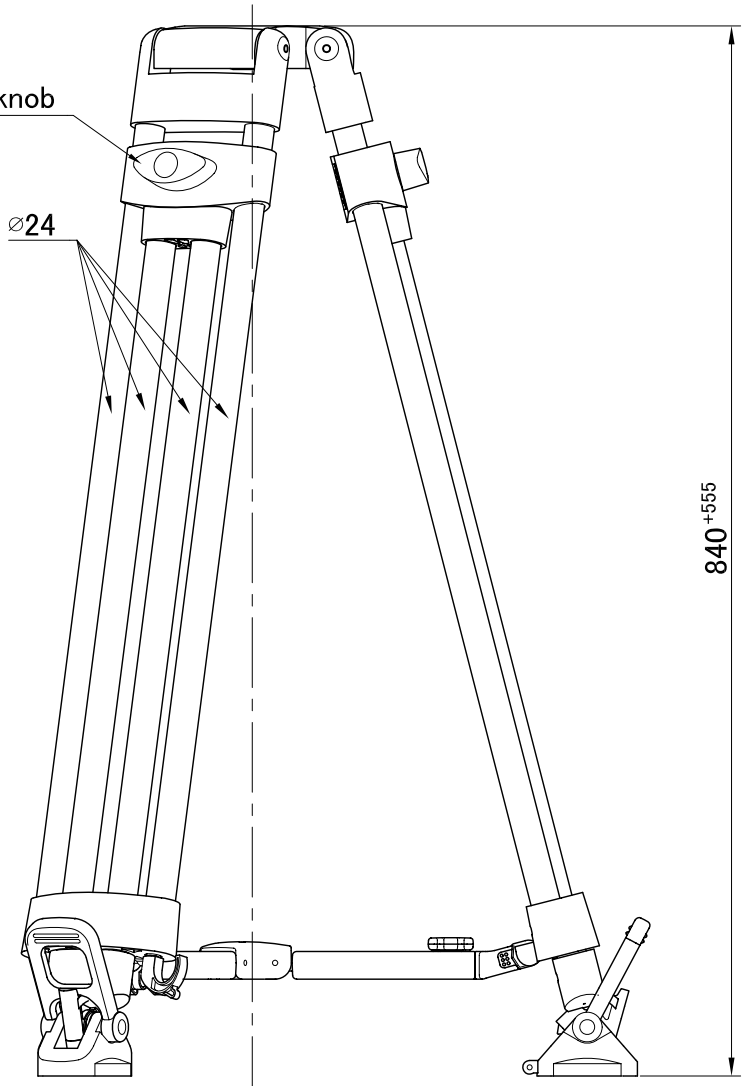
■ Exterior Dimensions (mm)

■ BR-6B

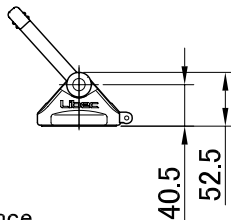
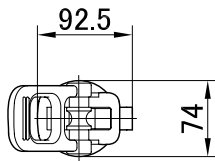


Tripod lock knob

φ24



■ FP-3B



※: Reference

