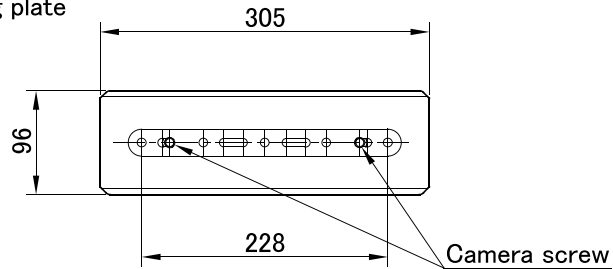


System	QH3 (Head)		
Payload	69 kg / 151.8 lb	Tilt angle	+90° / -70° (Limited to ±40° with maximum counterbalance)
Weight	Flat base : 12.7 kg / 27.9 lb	Pan angle	360°
	Ball : 13.8 kg / 30.4 lb	Counterbalance	Range : 28 to 65 kg / 61.6 to 143 lb (C.G. 125 mm)
Camera plate (Sliding range)	Sliding plate		System : Continuous
Plate attachment	±75 mm / 2.9"	Drag mode	7 STEP
Spare screw	3/8-16UNC x 2	Temperature range	-20°C to +60°C / -4° F to +140° F
Bubble level	Illuminated	Head attachment	Flat base
		Pan handle	150mm Ball *BL-150(Ball base adapter)
			PH-15B x 2

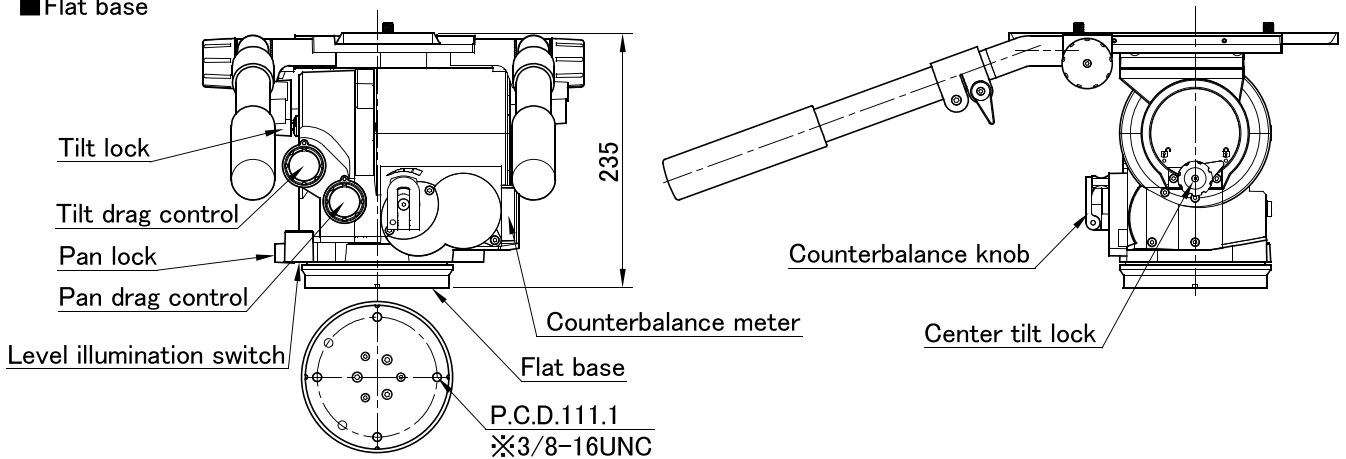
Remarks

■ Exterior dimensions (mm)

■ Sliding plate



■ Flat base



■ Ball

